

ACCESSORIES Veintilation system - IP 54 - IP 55

FLT - GFV FILTERS AND FAN

Description: The "FLT .7" series of filters and filters with "GFV .7" fans permits the user to obtain IP54 level protection (an IP 55 level of protection can be obtained on some of them on request, by simply substituting the filtering cloth), and has been widened with new models, to satisfy the increasing needs of our customers.

MOST IMPORTANT FEATURES

The plastic parts are in ABS UL 94-V0 (nylon charged with fibreglass), which guarantees self-extinguishing capabilities. The filtering cloths are in non-fabric material that has a high yield and progressive structure, in synthetic thermally bound and unbreakable fibres. They are resistant up to 100° C and up to 100% of relative humidity. They can store up to 650 g/m² of dust. The loss of initial load is 25 Pa.

The cloths can be cleaned by rinsing, treatment with a jet of water or beating. Quality is in accordance with DIN 24185 norms. The fans utilised in the kit are built according to CE, VDE and TUV norms. The rotation supports are exclusively ball bearings for high dependability and long life (Min. 50,000 hours at 25° C and 65% relative humidity). All of the materials can be recycled.

OTHER CHARACTERISTICS

115 V AC or 230 V AC feed voltages are available. Other power voltages in AC and DC are available on request. Standard suction air flow (from outside the electric panel towards the inside); on request, the opposite air flow (forced) can be installed for filtering groups with a fan. Standard RAL 7035 colour. Standard level of protection IP 54 (on request IP 55 protection or EMC protection is available).

ASSEMBLY

Assembly of the filters takes place flush with the electric panel to avoid harmful external displacement (maximum protrusion from the panel 8 mm). Assembly on the panel with 1.2 ÷ 2.2 mm thickness is performed with a snap on clip, with no need for screws.

The field of tolerance of the boring with respect to the nominal dimensions is 1.5 mm.

ACCESSORIES FLT - Filter

FILTERING GROUPS WITH IP 55 LEVEL OF PROTECTION

Description: The FLT 307, FLT 407 and FLT 707 filters and filters with fans GFV 357, GFV 557 and GFV 757 are available, on request, with IP 55 level of protection. The level of protection can be ordered by adding the abbreviation IP 55 to the filter code or code of the filter and fan kit. In any case, the level of protection of previously installed filters and filter and fan kits can be increased by substituting the standard filtering cloth with the IP 55 cloth.

The special filtering cloth (which can also be ordered as a spare part) guarantees an FU5 level of filtering, with 97% separation, in accordance with the DIN 24185 norm.

FILTERING GROUPS WITH EMC PROTECTION

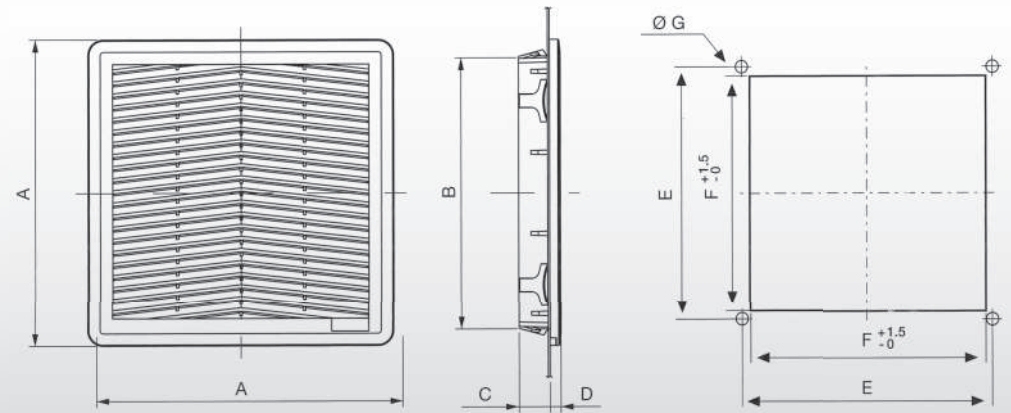
Description: All series 7 filters and filters with fans are available, on request, in the electromagnetic emission screening versions. Incoming or outgoing electromagnetic emissions are diminished by 15÷28 dB, depending on the frequency. The EMC version of the filter kit is obtained by metal plating of the plastic parts that must act as a screen, coupled to a suitable metallic mesh and application of a special gasket that also makes the unit water and dust proof.

FLT - filters and cloths

CODE	Descrizione
FLT 007	105x105 IP 54 filter
FLT 107	150x150 IP 54 filter
FLT 307	204x204 IP 54 filter
FLT 407	250x250 IP 54 filter
FLT 707	Filter 325x325 IP 54

Notes:

- To order a filter or filtering group with fan having a forced air flow, add the abbreviation /R to the code (i.e. GFV 157 /2 /R)
- To order a filter or filtering group with fan with IP 55 level of protection, add the abbreviation /IP55 to the code (i.e. GFV 557 /2 /IP55)
- To order a filter or filtering group with fan with EMC level of protection, add the abbreviation /EMC to the code (i.e. GFV 757 /2 /EMC)



ACCESSORIES

FLT.../P - Filter cloths

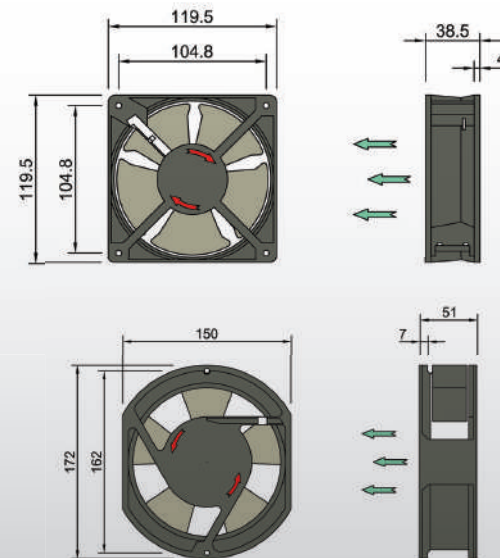
Description: filter cloth replacement to restore its efficiency.

ACCESSORIES

Drawing and drilling template

CODE	Feature
FLT 007/P	Filter cloth 105x105 (pack of 6 pcs.)
FLT 101/P	Filter cloth 150x150 (pack of 6 pcs.)
FLT 307/P	Filter cloth 204x204 (pack of 6 pcs.)
FLT 307/P/IP55	Filter cloth 204x204 IP 55 (pack of 6 pcs.)
FLT 402/P	Filter cloth 250x250 (pack of 6 pcs.)
FLT 402/P/IP55	Filter cloth 250x250 IP 55 (pack of 6)
FLT 703/P	Filter cloth 325x325 (pack of 6 pcs.)
FLT 703/P/IP55	Filter cloth 325x325 IP 55 (pack of 6)

CODE	Real dimensions						
	A	B	C	D	E	F	G
FLT007	107	91,5	16,5	6,7	95	91,5	1,8
FLT107	150	124	21,5	7,7	131	124	4,5
FLT307	204	176	21,5	8	185	177	4,5
FLT407	250	223	24,9	8,9	230	223	4,5
FLT707	325	291	24,5	9,5	302	291	4,5



ACCESSORIES

GFV - Filter and fan groups

FILTER UNITS WITH IP55 PROTECTION DEGREE

Description: the GFV 357, GFV 557, GFV 757 fan filters are available, on request, with IP 55 protection degree. It is possible to order them by adding the code / IP55 to the filter kit code with fan. It is in any case possible to increase the degree of protection of the filter kits with the fan already in place by replacing the standard filter cloth with the IP 55 one. The special filter cloth (can also be ordered as a spare) guarantees a level of FU5 filtration with 97% separation, according to the DIN 24185 standard.

FILTER UNITS WITH EMC PROTECTION

Description: the filters with fan are available, on request, in the shielding version of the electromagnetic emissions. The electromagnetic emissions in input or output are attenuated by 15 ÷ 28 dB according to the frequency. The EMC filter kit version is obtained by metallising the plastic parts that must function as a screen, a suitable mesh metal mesh is coupled, and a special gasket is applied which also maintains the water and dust seal.

GFV - filters and cloths for filtrates

CODE	Descrizione								
		VCA	Hz	mA	W	m ³ /h	m ³ /h	dB(A)	°C
GFV 057/1	105x105 filter + fan	115	50/60	140/110	9/7	45/54	23/30	40/44	-20 ÷ +70°C
GFV 057/2	105x105 filter + fan	230	50/60	70/55	10/8	45/54	23/30	40/44	-20 ÷ +70°C
GFV 157/1	150x150 filter + fan	115	50/60	170/160	20/18	160/178	57/61	43/48	-20 ÷ +70°C
GFV 157/2	150x150 filter + fan	230	50/60	90/80	20/19	160/178	57/61	43/48	-20 ÷ +70°C
GFV 357/1	204x204 filter + fan	115	50/60	320/270	23/21	195/220	120/135	41/43	-20 ÷ +70°C
GFV 357/2	204x204 filter + fan	230	50/60	165/135	23/21	195/220	120/135	41/43	-20 ÷ +70°C
GFV 557/1	250x250 filter + fan	115	50/60	250/250	30/30	348/384	240/270	50/55	-20 ÷ +70°C
GFV 557/2	250x250 filter + fan	230	50/60	120/120	29/29	348/384	240/270	50/55	-20 ÷ +70°C
GFV 757/1	325x325 filter + fan	115	50	820	71	825	500	65	-20 ÷ +50°C
GFV 757/2	325x325 filter + fan	230	50	320	67	825	500	65	-20 ÷ +50°C

Support movements for all GFV: bearings

Notes to place an order:

- a filter unit with fan having air flow press the code / R to the code (eg: GFV 157/2 / R)
- a filter unit with fan with IP 55 protection degree add the code / IP55 to the code (eg: GFV 557/2 / IP55)
- a filter unit with fan with EMC protection add the code / EMC to the code (eg: GFV 757/2 / EMC)

ACCESSORIES

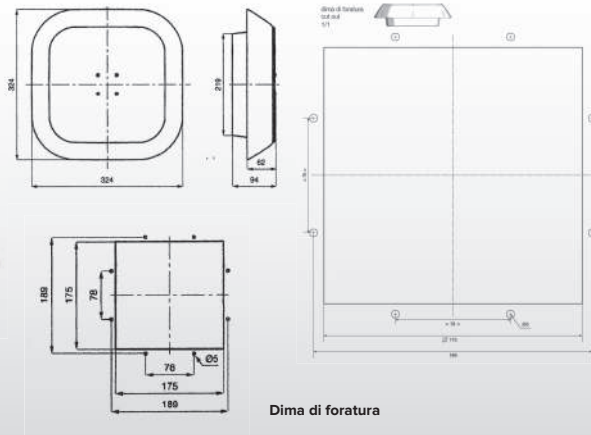
VNT - Fans

Description: VNT fans can be used to create ventilation without a filter. The VNT 441 can be applied to a GTF 100 to make it more efficient. The VNT141 is also the replacement for the GFV157 and GFV357; the VNT441 is the replacement for GFV557.

VNT

CODE	Features	Voltage		Frequency		Absorption		Fan air flow rate		Noise	Operating temperatures
		VCA	Hz	mA	W	m ³ /h	dB(A)	°C			
VNT 141/1	Ventilatore ø120	115	50/60	170/160	20/18	160/181	43/48	-10 ÷ +60°C			
VNT 141/2	Ventilatore ø120	230	50/60	90/80	20/19	160/178	43/48	-20 ÷ +70°C			
VNT 441/1	Ventilatore ø150	115	50/60	300/270	36/33	345/405	50/53	-10 ÷ +60°C			
VNT 441/2	Ventilatore ø150	230	50/60	100/110	24/21	345/405	50/53	-20 ÷ +70°C			

Support movements for all fans: Bearings

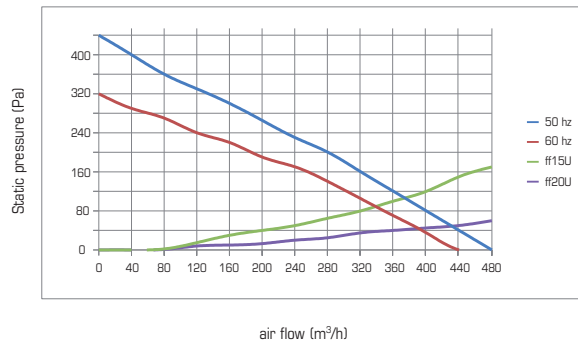


ACCESSORIES

GTFV/PVC - PVC Roof exhaust unit

Technical specifications:

- Type of material:** ABS/PC and alluminium
- Standard colours:** RAL 7035
- Protection degree:** IP23, EN60529
- Fixing method:** N° 8 screws M4 x 16
- Plate thickness:** All
- Storage temperature:** -20°C a 60°C
- Lifetime:** L 10 to 40°C: 50.000 h
- Motor protection:** thermal
- Electric connection:** by terminal block 3 P L-N-PE
- Earth connection:** by terminal block, PE pole
- Appliance class:** class 1
- Weight:** 2 kg
- Approval:** CE



CODE	Free flow fan capacity m³/h	Voltage - Frequency V - Hz	Absorbed power W	Operating temperatures °C	Noise dB(A)
GTFV100/PVC	530/563	115 - 50/60	78/82	-10/60	59/61
GTFV200/PVC	530/563	230 - 50/60	78/82	-10/60	59/61

ACCESSORIES

GTF and GTFV - Roof Mounted Ventilation Systems

GTF - Descrizione: the GTF 100 roof mounted ventilation system is installed on the roof or on the wall of the electric panel and allows extraction of air directly from the upper part of the panel, where the warmest air accumulates due to convection. It is possible to apply a VNT 441/1 or a VNT 441/2 on the GTF, to make the roof mounted system more efficient.

GTFV - Descrizione: GTFV roof mounted ventilation systems consist of a special roof where a centrifugal fan is installed. This system permits operations to be performed with a high degree of prevalence, capable of overcoming normal resistance due to a clogged filter. It is therefore possible to maintain a high capacity of air movement and efficiency, even with a partially clogged filter, thereby reducing the need for periodical maintenance. The structure in RAL 7035 painted sheet metal is equipped with an airtight gasket. The motor operates on ball bearings and is equipped with internal thermal protection. The power cable supplied is 3 m long.

CODE	Free flow fan capacity	Voltage - Frequency	Absorbed power	Characteristic dimensions					Operating temperatures	Noise	Degree of protection
	m³/h			L	P	H	A	B			
GTF100	—	—	—	420	340	50	382	300	—	—	IP 24
GTF200	—	—	—	460	380	105	380	300	-20/55	62	IP 24
GTF300	—	—	—	540	400	160	440	320	-20/55	76	IP 24
GTFV200/1	575	115 - 50/60	80	460	380	105	380	300	-20/55	62	IP 44
GTFV200/2	575	230 - 50/60	80	460	380	105	380	300	-20/55	62	IP 44
GTFV250/1	860	115 - 50/60	85	460	380	105	380	300	-20/55	70	IP 44
GTFV250/2	860	230 - 50/60	85	460	380	105	380	300	-20/55	70	IP 44
GTFV 300/2	1510	230 - 50/60	170	540	400	160	440	320	-20/55	76	IP 44
GTFV 350/2	2365	230 - 50/60	170	600	550	265	480	470	-20/55	77	IP 44

Drilling templates

- GTF100
- GTFV200
- GTFV250

