

CONSOLES

LAR - Monoblock consoles with upper element

Code LAR includes:

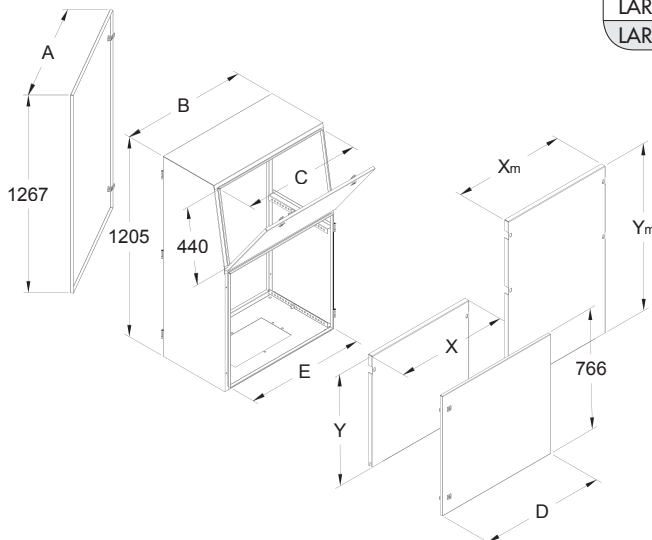
- Structure in welded pressbent steel sheet
- Hinged front door
- Hinged desk cover
- Screwed rear door full height
- Inner mounting plate

Additional elements:

- Wide mounting plate
- plinth code **ZAK** + side flanges code **FLK** H=100 or 200 mm (pag. 40)

CODE	Nominal dimensions			Other dimensions				
	H	L	P	A	B	C	E	D
LAR08	1270	800	500	796	725	735	722	796
LAR10	1270	1000	500	996	925	935	922	496*
LAR12	1270	1200	500	1196	1125	1135	1122	596*
LAR14	1270	1400	500	1396	1325	1335	1322	696*
LAR16	1270	1600	500	1596	1525	1535	1522	796*

Codes and dimensions, std. and wide m. plate					
Standard	X	Y	Wide	X _m	Y _m
LAR08/P	710	710	LAR08/PM	710	1060
LAR10/P	910	710	LAR10/PM	910	1060
LAR12/P	1110	710	LAR12/PM	1110	1060
LAR14/P	1310	710	LAR14/PM	1310	1060
LAR16/P	1510	710	LAR16/PM	1510	1060



* For these dimensions the doors are double against each other.