



CONSOLES

BLD - Monoblock Console

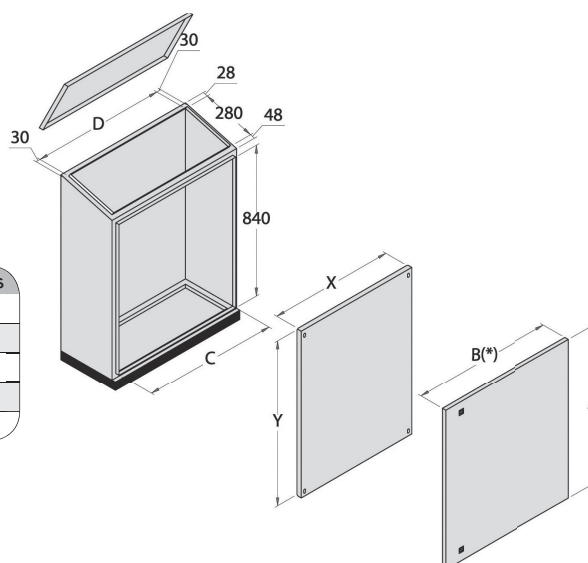
Code BLD includes:

- Structure in pressbent and welded steel sheet
- Hinged front door
- Hinged desk cover
- Inner mounting plate in galvanised steel
- Closed bottom
- Plinth H=50 mm welded to the structure of the console

Additional elements:

- Customized holes on the structure, internal plate, hinged shelf panel and door

CODE	Nominal dimensions			Other dimensions				Plates codes and dimensions		
	H	L	P	D	C	A	B	Plate	X	Y
BLD065	1050	650	350	590	590	877	646	BLD065/P	560	930
BLD080	1050	800	350	740	740	877	796	BLD080/P	710	930
BLD100	1050	1000	350	940	940	877	496*	BLD100/P	910	930
BLD120	1050	1200	350	1140	1140	877	596*	BLD120/P	1110	930



* For these dimensions the doors are double against each other.