



CONSOLES

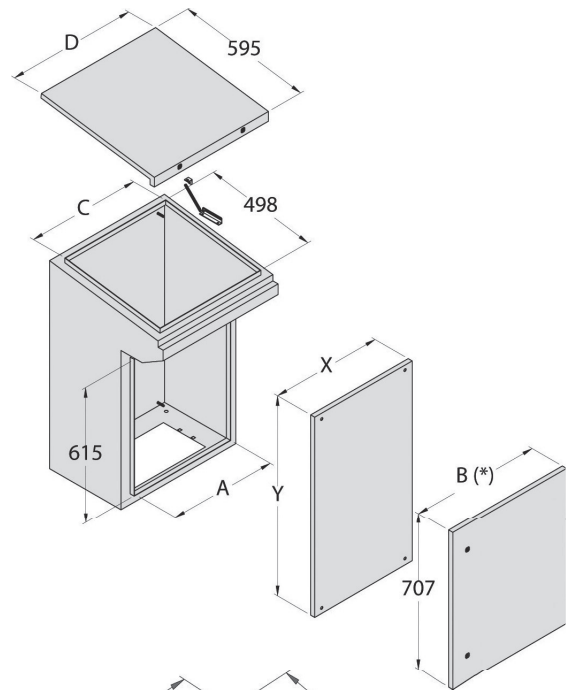
BLC - Monoblock console

Code BLC includes:

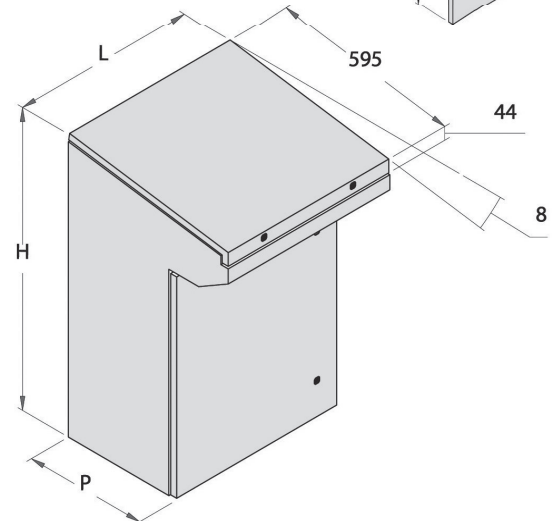
- Structure in pressbent and welded steel sheet
- Hinged front door
- Hinged desk cover
- Inner mounting plate in galvanised steel
- Cable entry with removable plate

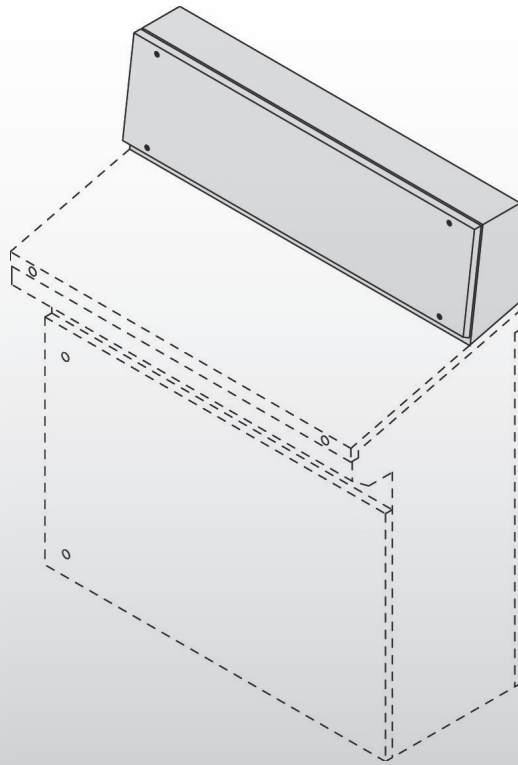
Additional elements:

- plinth cod. **ZAK** + side flanges cod. **FLK** H=100 or H=200 mm. page (pag. 40)



CODE	Nominal dimensions			Other dimensions				Plates codes and dimensions		
	H	L	P	D	C	A	B	Plate	X	Y
BLC060	970	600	400	596	521	504	596	BLC060/P	520	910
BLC080	970	800	400	796	721	704	796	BLC080/P	720	910
BLC100	970	1000	400	996	921	904	496*	BLC100/P	920	910
BLC120	970	1200	400	1196	1121	1104	596*	BLC120/P	1120	910
BLC140	970	1400	400	1396	1321	1304	696*	BLC140/P	1320	910
BLC160	970	1600	400	1596	1521	1504	796*	BLC160/P	1520	910





CONSOLES

ALM - Upper element for consoles BLC

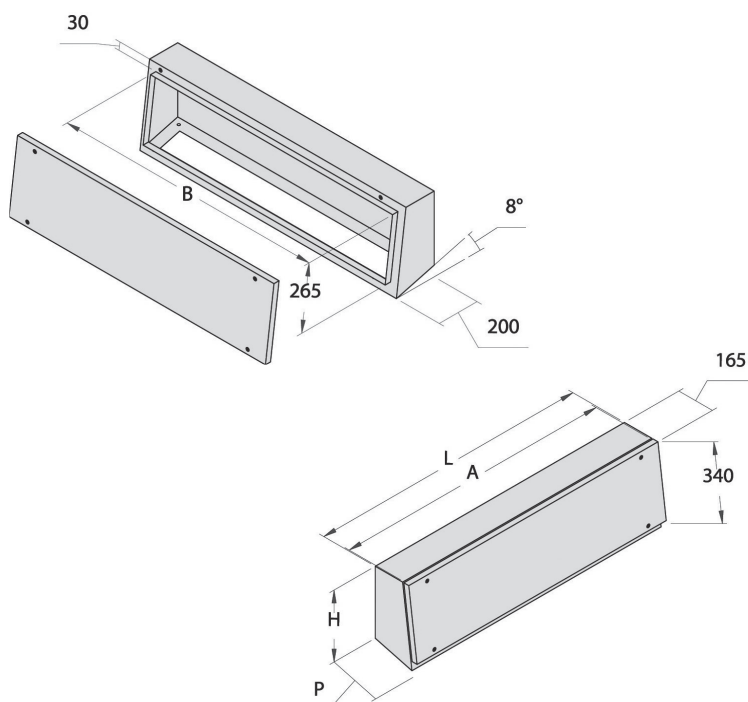
Description: an additional element for the BLC consoles.

Code ALM includes:

- Structure in welded and pressbent steel sheet
- Front cover screwed
- Bottom side open for connection with the **BLC** console and fixing points

Additional elements:

- customized holes on the structure and on the screwed front panel



CODE	Nominal dimensions			Other dimensions	
	H	L	P	A	B
ALM060	300	600	228	596	540
ALM080	300	800	228	796	740
ALM100	300	1000	228	996	940
ALM120	300	1200	228	1196	1140
ALM140	300	1400	228	1396	1340
ALM160	300	1600	228	1596	1540