



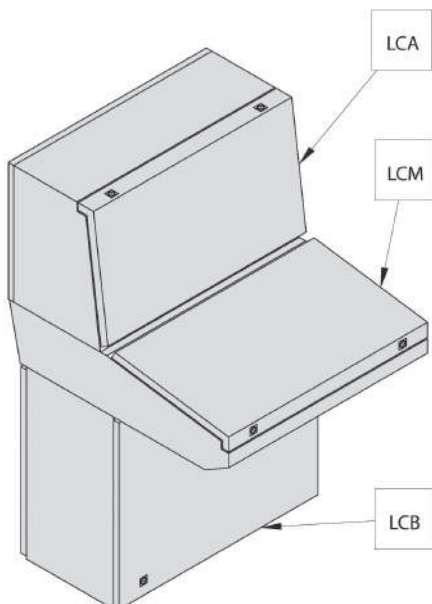
CONSOLES

Modular and monoblock consoles IP 55

Description: the range of consoles includes the series LC, BLC, LAS, BLD and LAR. All consoles are made up of pressbent sheetsteel and are all IP 55. Inner mounting plates are adjustable in depth and are in galvanised steel thick 2.0 mm. Paint is powder coating type, RAL 7035 textured.

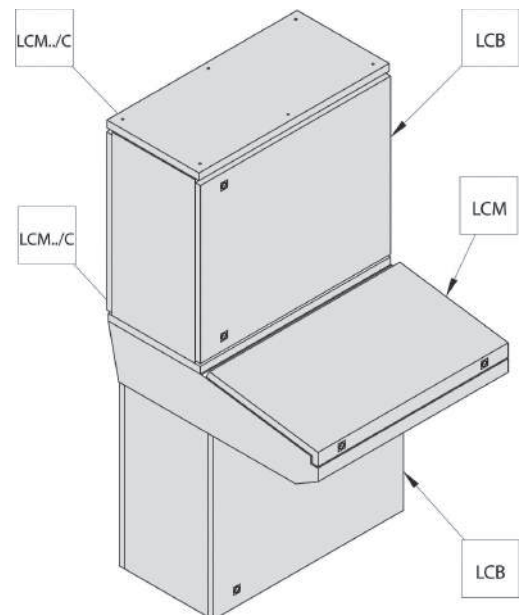
LC - Modular consoles

Console composed of:
LCA - LCM - LCB



Possible
composition

Console composed of:
N° 2 LCB - LCM../C - LCM



Notes: the standard front door of the consoles has the hinges on the right side and the closing boxes on the left



CONSOLES

Description: modular consoles series LC include.

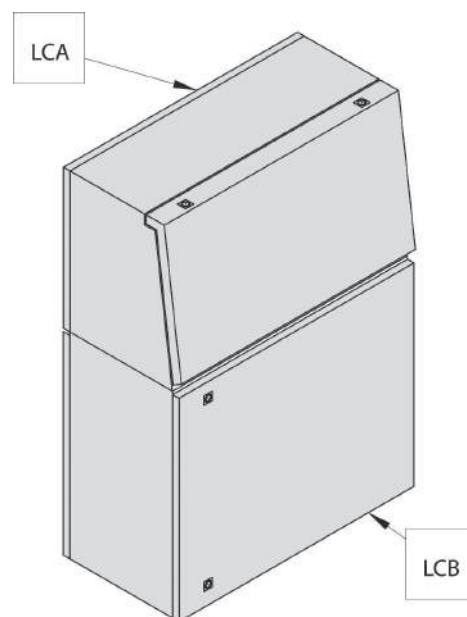
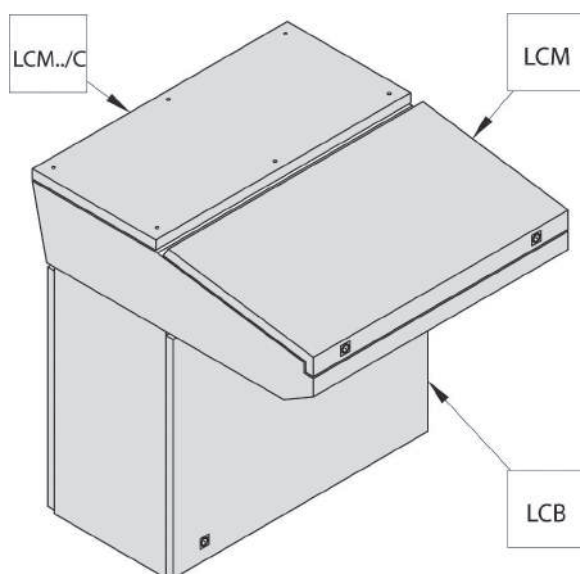
LC series is composed by the following elements:

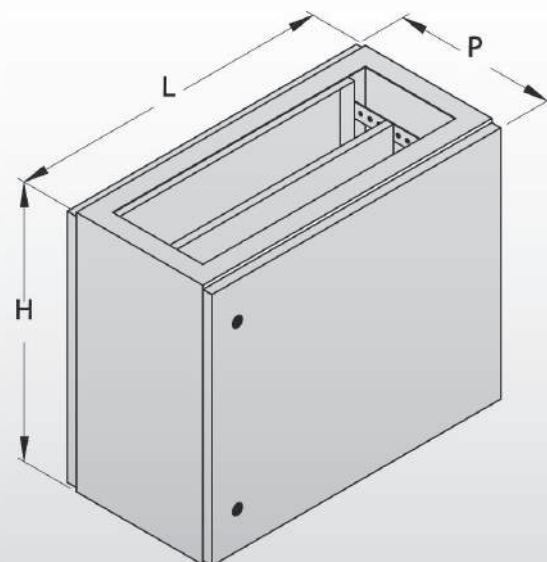
- **LCB** base element with inner mounting plate
- **LCA** upper element without inner mounting plate
- **LCM** desk element without cover
- Electromechanical plate for the upper element cod. LCA / P
- Desk cover LCM/C
- Plinth code ZAK + side flanges code FLK (H=100 or 200 mm) (pag. 40)

Console composed of:
LCM - LCM../C - LCB

Possible
composition

Console composed of:
LCA - LCB





CONSOLES

LCB - Base element for modular consoles

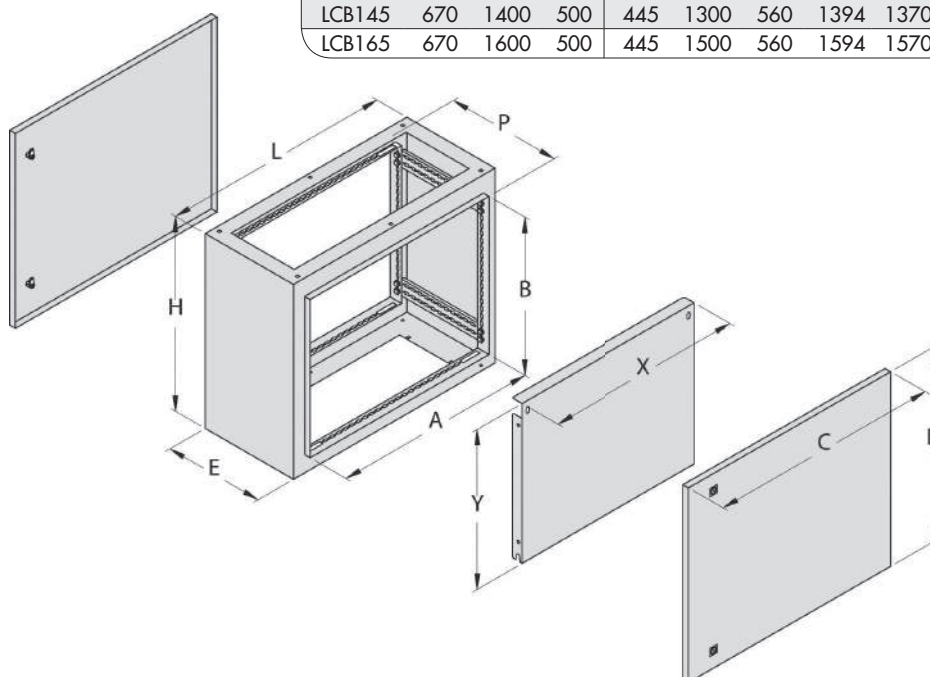
Code LCB includes:

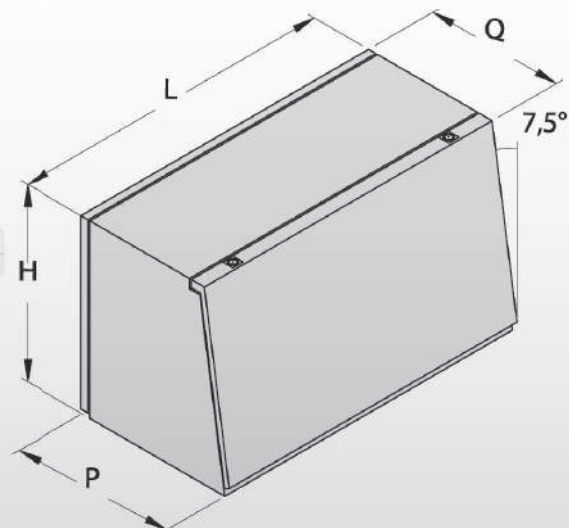
- Structure in pressbent steel sheet
- Front door
- Rear door
- Mounting plate

Additional elements:

Plinth code **ZAK** H=100 or H=200 +
side flanges code **FLK**,
see pages (pag. 40)

CODE	Nominal dimensions			Other dimensions					Plates codes and dimensions		
	H	L	P	E	A	B	C	D	Plate	X	Y
LCB064	670	600	400	345	500	560	594	570	LCB064/P	490	555
LCB084	670	800	400	345	700	560	794	770	LCB084/P	690	555
LCB104	670	1000	400	345	900	560	994	970	LCB104/P	890	555
LCB124	670	1200	400	345	1100	560	1194	1170	LCB124/P	1090	555
LCB144	670	1400	400	345	1300	560	1394	1370	LCB144/P	1290	555
LCB164	670	1600	400	345	1500	560	1594	1570	LCB164/P	1490	555
LCB065	670	600	500	445	500	560	594	570	LCB064/P	490	555
LCB085	670	800	500	445	700	560	794	770	LCB084/P	690	555
LCB105	670	1000	500	445	900	560	994	970	LCB104/P	890	555
LCB125	670	1200	500	445	1100	560	1194	1170	LCB124/P	1090	555
LCB145	670	1400	500	445	1300	560	1394	1370	LCB144/P	1290	555
LCB165	670	1600	500	445	1500	560	1594	1570	LCB164/P	1490	555





CONSOLES

LCA - Upper element for modular consoles

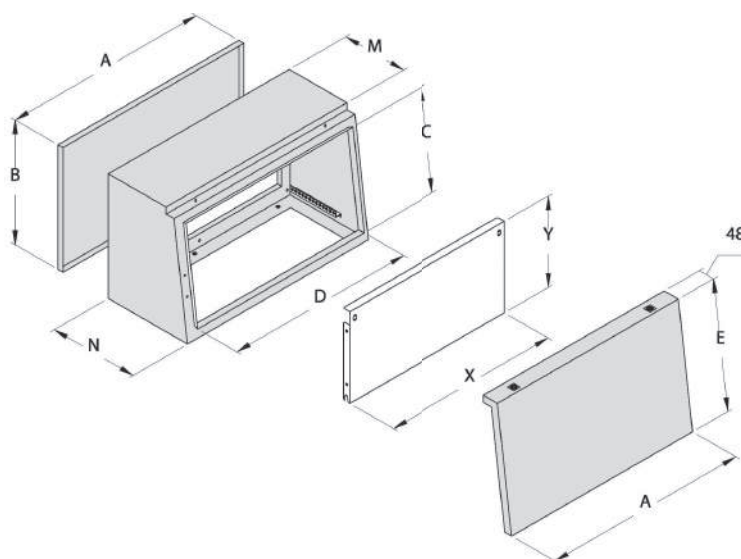
Code LCA includes:

- Structure in pressbent steel sheet
- Front hinged cover
- Rear screwed panel
- Fixing point to desk element

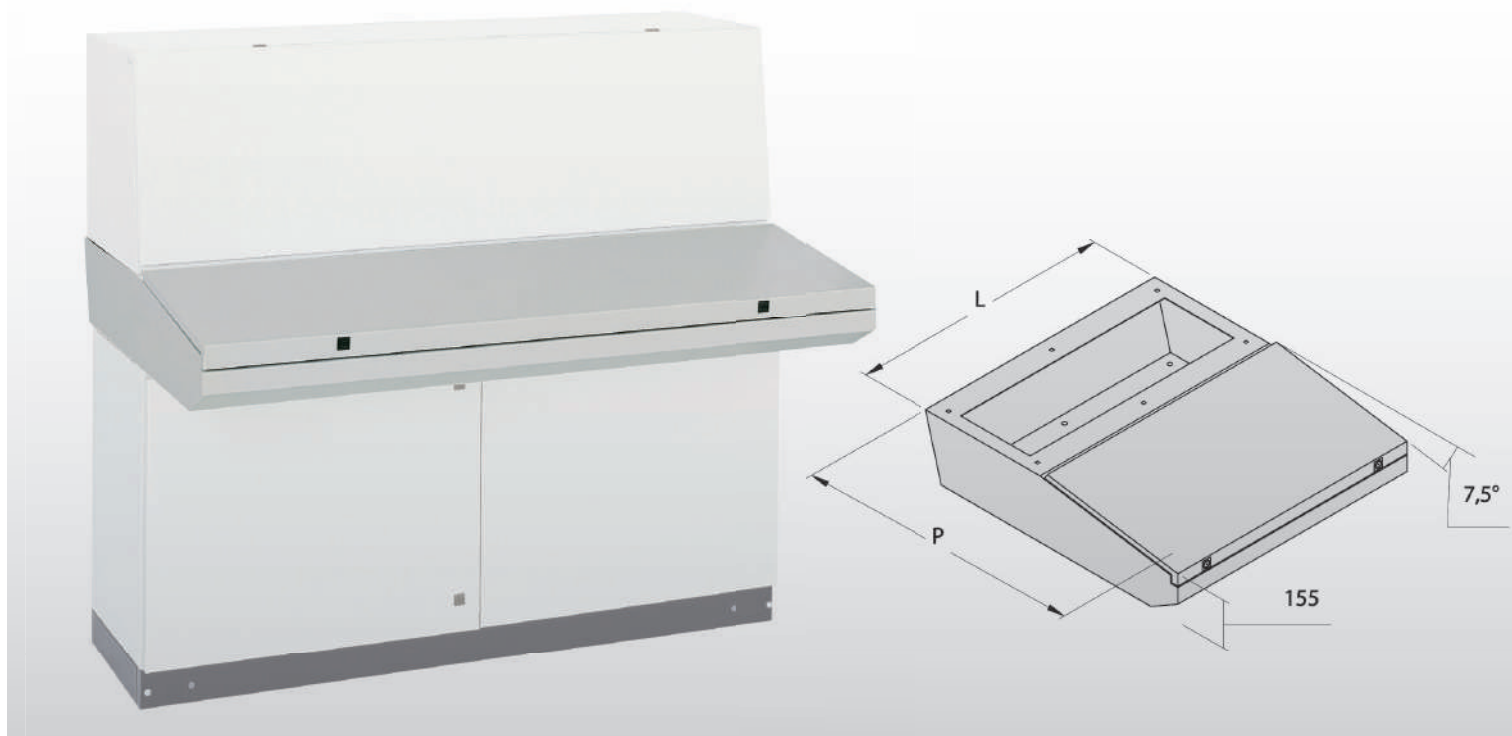
Additional elements:

- Mounting plate

CODE	Nominal dimensions			Other dimensions								Plates codes and dimensions		
	H	L	P	Q	A	B	C	D	M	N	E	Plate	X	Y
LCA064	490	600	400	330	596	476	370	520	255	348,5	469	LCA064/P	490	410
LCA084	490	800	400	330	796	476	370	720	255	348,5	469	LCA084/P	690	410
LCA104	490	1000	400	330	996	476	370	920	255	348,5	469	LCA104/P	890	410
LCA124	490	1200	400	330	1196	476	370	1120	255	348,5	469	LCA124/P	1090	410
LCA144	490	1400	400	330	1396	476	370	1320	255	348,5	469	LCA144/P	1290	410
LCA164	490	1600	400	330	1596	476	370	1520	255	348,5	469	LCA164/P	1490	410
LCA065	490	600	500	430	596	476	370	520	355	448,5	469	LCA064/P	490	410
LCA085	490	800	500	430	796	476	370	720	355	448,5	469	LCA084/P	690	410
LCA105	490	1000	500	430	996	476	370	920	355	448,5	469	LCA104/P	890	410
LCA125	490	1200	500	430	1196	476	370	1120	355	448,5	469	LCA124/P	1090	410
LCA145	490	1400	500	430	1396	476	370	1320	355	448,5	469	LCA144/P	1290	410
LCA165	490	1600	500	430	1596	476	370	1520	355	448,5	469	LCA164/P	1490	410



Notes: the LMC.../C additional element is required when joining the upper and desk element, in order to avoid collision of the front cover and the desk cover



CONSOLES

LCM, LCM../C - Desk and cover

Code LCM include:

- Pressbent desk structure
- Hinged cover
- fixing points to base and upper elements **LCB**

Additional elements:

- Horizontal panel **LCM../C**

CODE	Nominal dimensions			Other dimensions			Upper cover codes and dimensions		
	H	L	P	C	D	E	Upper cover	A	B
LCM064	200	600	885	370	520	473	LCM064/C	598	345
LCM084	200	800	885	370	720	473	LCM084/C	798	345
LCM104	200	1000	885	370	920	473	LCM104/C	998	345
LCM124	200	1200	885	370	1120	473	LCM124/C	1198	345
LCM144	200	1400	885	370	1320	473	LCM144/C	1398	345
LCM164	200	1600	885	370	1520	473	LCM164/C	1598	345
LCM065	200	600	985	370	520	473	LCM065/C	598	445
LCM085	200	800	985	370	720	473	LCM085/C	798	445
LCM105	200	1000	985	370	920	473	LCM105/C	998	445
LCM125	200	1200	985	370	1120	473	LCM125/C	1198	445
LCM145	200	1400	985	370	1320	473	LCM145/C	1398	445
LCM165	200	1600	985	370	1520	473	LCM165/C	1598	445

