

MODULAR AND MONOBLOCK CONSOLES IP 55

Description: the range of consoles includes the series **LC, BLC, LAS, BLD** and **LAR**. All consoles are made up of pressbent sheetsteel and are all IP 55.

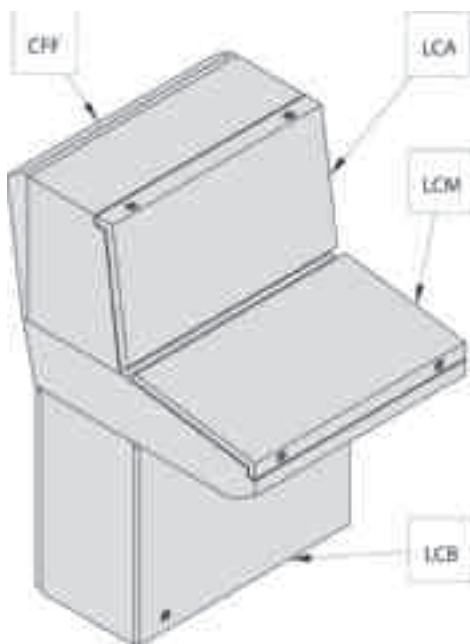
Inner mounting plates are adjustable in depth and are in galvanised steel thick 2.0 mm.
Paint is powder coating type, RAL 7035 textured.

Note: for details on accessories please refer to page 112 and following

LC - MODULAR CONSOLES

Description: modular consoles series LC include:

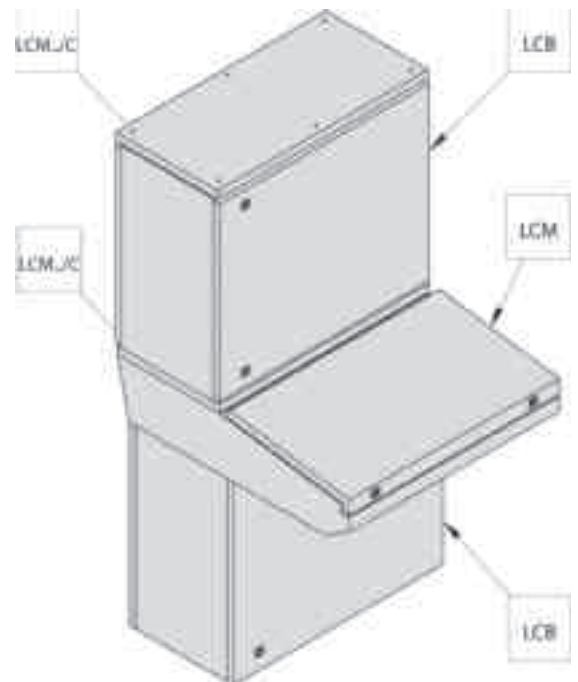
- LCB base element with inner mounting plate;
- LCA upper element without inner mounting plate;
- LCM desk element without cover;
- CFF upper back element;
- Desk cover LCM/C;
- Plinth code ZAK + side flanges code FLK (H=100 or 200 mm), see pages 22-23.



Possible arrangements:

Console including:

- . LCA;
- . CFF;
- . LCM;
- . LCB.



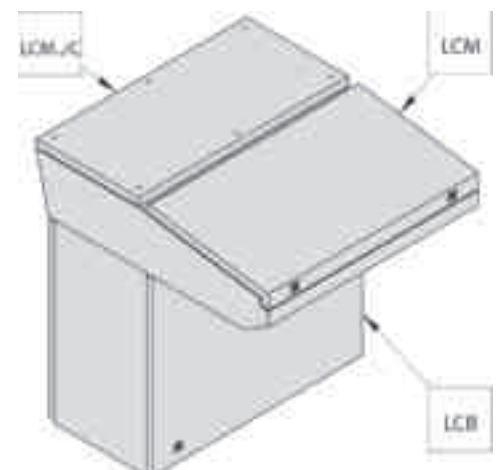
Console including:

- . N° 2 LCB;
- . LCM./C;
- . LCM



Console including:

- . LCA;
- . LCB;



Console including:

- . LCM;
- . LCM./C;
- . LCB.

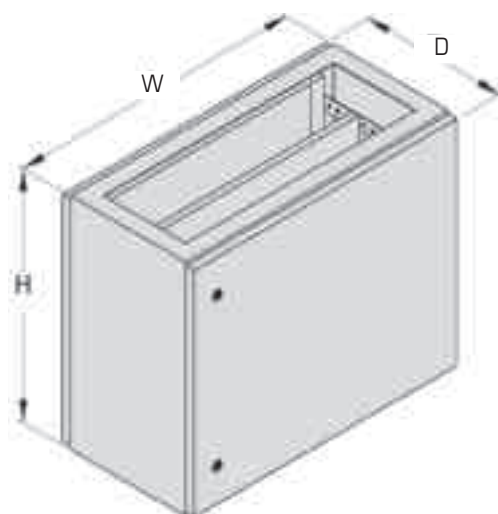
LCB - BASE ELEMENT FOR MODULAR CONSOLES

Code **LCB** includes:

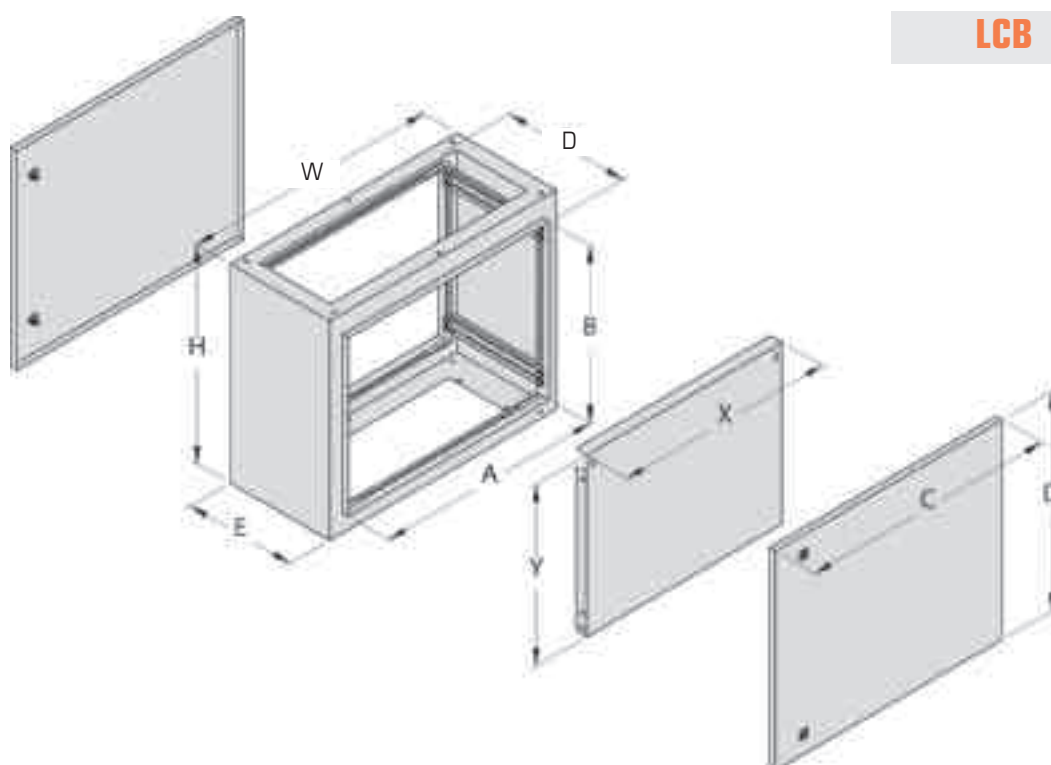
- Structure in pressbent steel sheet;
- Front door;
- Rear door;
- Mounting plate.

Additional elements:

- Plinth code ZAK H=100 or H=200 + side flanges code FLK, see pages 22-23;



CODE	Nominal dimensions			Other dimensions					Codes and dimensions m.plate		
	H	W	D	E	A	B	C	D	Codes m.plate	X	Y
LCB064	670	600	400	345	500	560	594	570	LCB064/P	490	555
LCB084	670	800	400	345	700	560	794	770	LCB084/P	690	555
LCB104	670	1000	400	345	900	560	994	970	LCB104/P	890	555
LCB124	670	1200	400	345	1100	560	1194	1170	LCB124/P	1090	555
LCB144	670	1400	400	345	1300	560	1394	1370	LCB144/P	1290	555
LCB164	670	1600	400	345	1500	560	1594	1570	LCB164/P	1490	555
LCB065	670	600	500	445	500	560	594	570	LCB064/P	490	555
LCB085	670	800	500	445	700	560	794	770	LCB084/P	690	555
LCB105	670	1000	500	445	900	560	994	970	LCB104/P	890	555
LCB125	670	1200	500	445	1100	560	1194	1170	LCB124/P	1090	555
LCB145	670	1400	500	445	1300	560	1394	1370	LCB144/P	1290	555
LCB165	670	1600	500	445	1500	560	1594	1570	LCB164/P	1490	555


LCB

LCA - UPPER ELEMENT FOR MODULAR CONSOLES

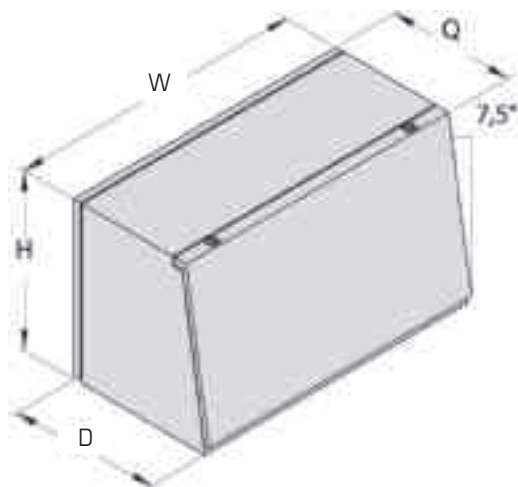
Code **LCA** includes:

- Structure in pressbent steel sheet;
- Front hinged cover;
- Rear screwed panel;
- Fixing point to desk element.

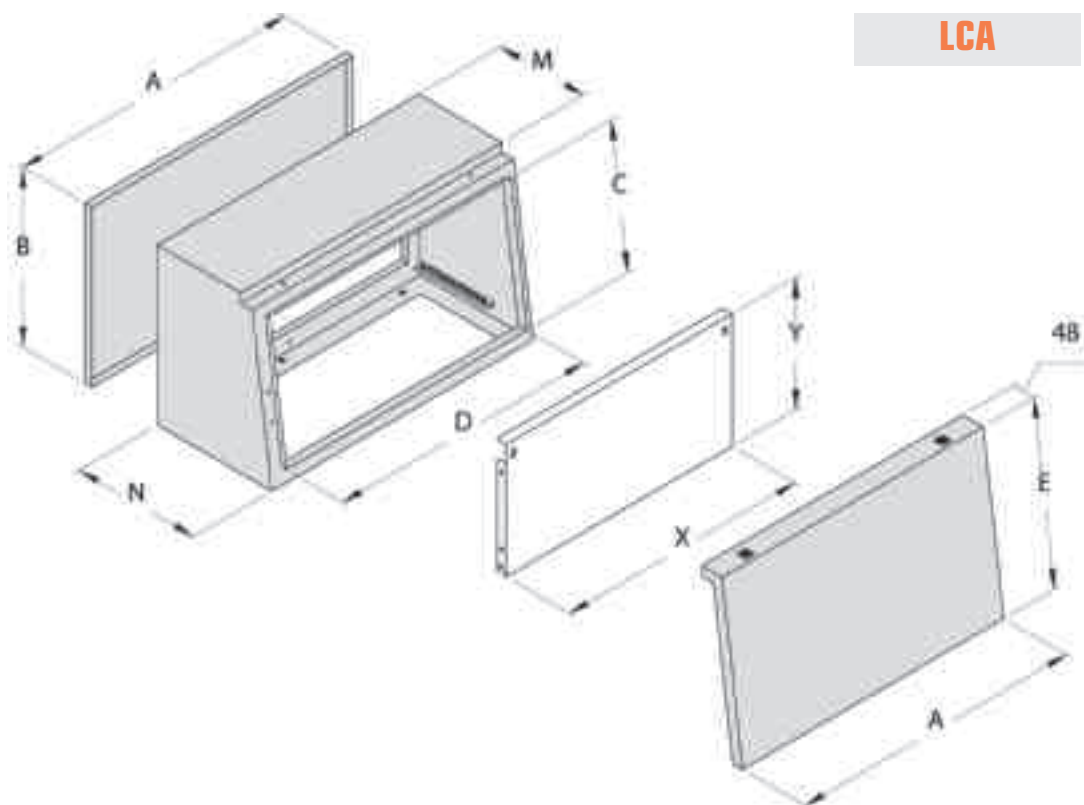
Note: the LMC.../C additional element is required when joining the upper and desk element, in order to avoid collision of the front cover and the desk cover.

Additional elements:

- Mounting plate;

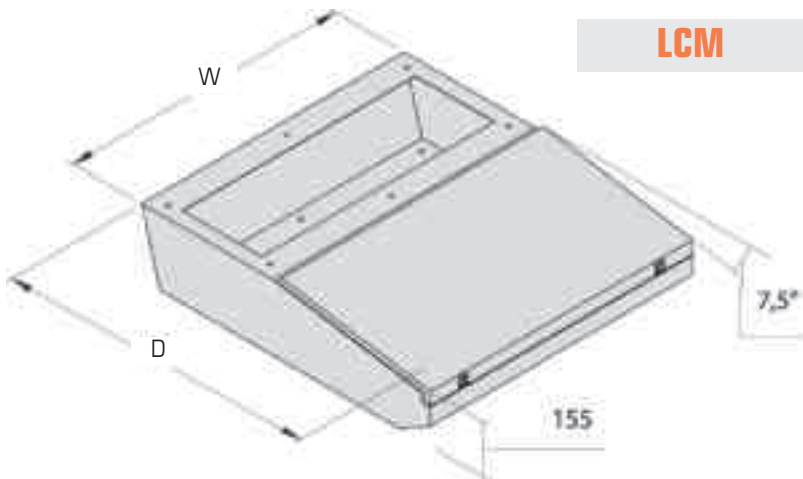


CODE	Nominal dimensions			Other dimensions								Codes and dim. m.plate		
	H	W	D	Q	A	B	C	D	M	N	E	Codes m.plate	X	Y
LCA064	490	600	400	330	596	476	420	520	255	348	469	LCA064/P	490	410
LCA084	490	800	400	330	796	476	420	720	255	348	469	LCA084/P	690	410
LCA104	490	1000	400	330	996	476	420	920	255	348	469	LCA104/P	890	410
LCA124	490	1200	400	330	1196	476	420	1120	255	348	469	LCA124/P	1090	410
LCA144	490	1400	400	330	1396	476	420	1320	255	348	469	LCA144/P	1290	410
LCA164	490	1600	400	330	1596	476	420	1520	255	348	469	LCA164/P	1490	410
LCA065	490	600	500	430	596	476	420	520	355	448	469	LCA064/P	490	410
LCA085	490	800	500	430	796	476	420	720	355	448	469	LCA084/P	690	410
LCA105	490	1000	500	430	996	476	420	920	355	448	469	LCA104/P	890	410
LCA125	490	1200	500	430	1196	476	420	1120	355	448	469	LCA124/P	1090	410
LCA145	490	1400	500	430	1396	476	420	1320	355	448	469	LCA144/P	1290	410
LCA165	490	1600	500	430	1596	476	420	1520	355	448	469	LCA164/P	1490	410



LCA

LCM, LCM../C - DESK AND COVER



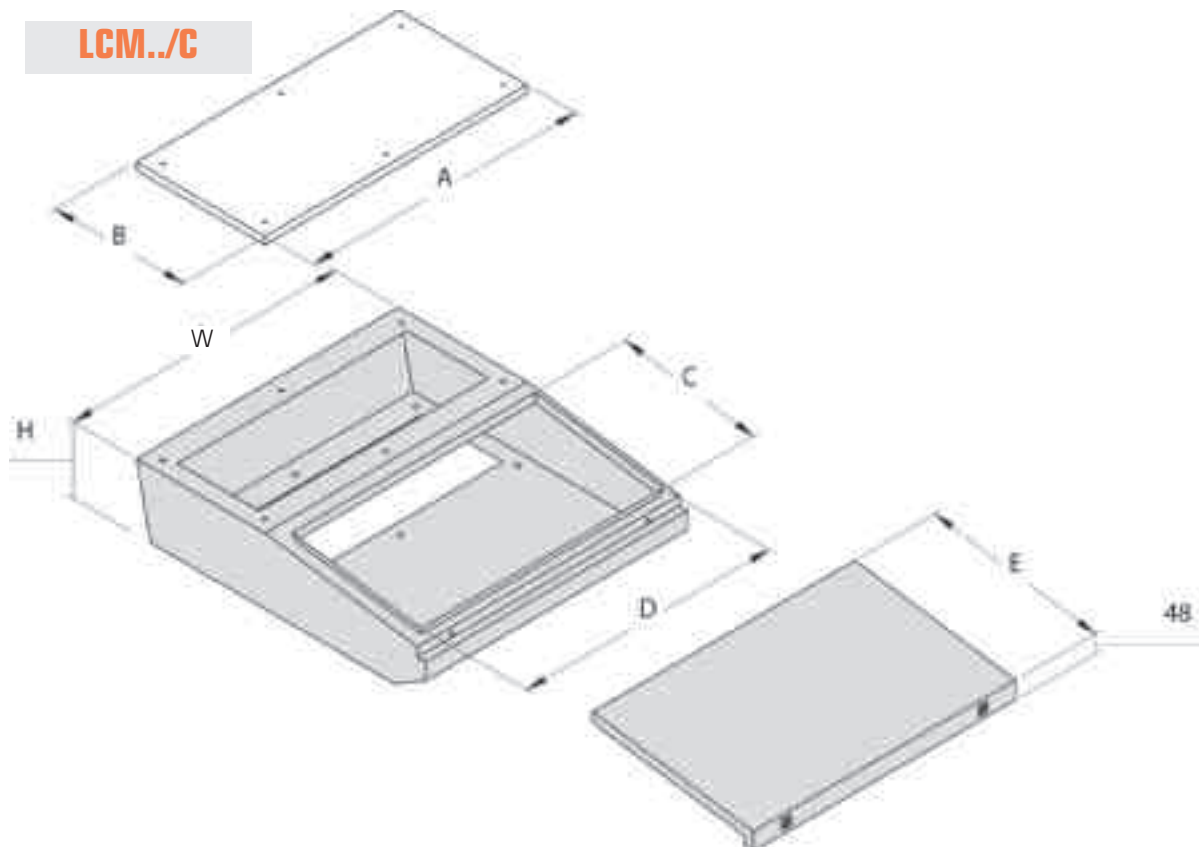
Code **LCM** include:

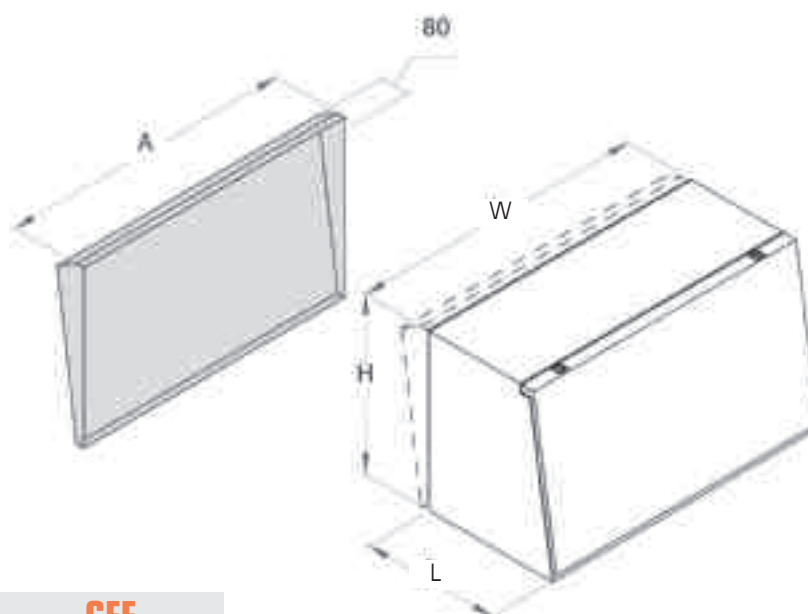
- Pressbent desk structure;
- Hinged cover;
- fixing points to base and upper elements.

Additional elements:

- Horizontal panel LCM../C;

CODE	Nominal dimensions			Other dimensions			Codes and dimensions upper cover		
	H	W	D	C	D	E	Code upper cover	A	B
LCM064	200	600	885	370	520	473	LCM064/C	598	345
LCM084	200	800	885	370	720	473	LCM084/C	798	345
LCM104	200	1000	885	370	920	473	LCM104/C	998	345
LCM124	200	1200	885	370	1120	473	LCM124/C	1198	345
LCM144	200	1400	885	370	1320	473	LCM144/C	1398	345
LCM164	200	1600	885	370	1520	473	LCM164/C	1598	345
LCM065	200	600	985	370	520	473	LCM065/C	598	445
LCM085	200	800	985	370	720	473	LCM085/C	798	445
LCM105	200	1000	985	370	920	473	LCM105/C	998	445
LCM125	200	1200	985	370	1120	473	LCM125/C	1198	445
LCM145	200	1400	985	370	1320	473	LCM145/C	1398	445
LCM165	200	1600	985	370	1520	473	LCM165/C	1598	445



CFF - UPPER BACK ELEMENT FOR MODULAR CONSOLES

CFF

CODE	Nominal dimensions			Codes and dimensions upper element LCA			
	H	W	A	Codes	H	W	P
CFF060	490	600	598	<i>LCA064</i>	490	600	400
CFF080	490	800	798	<i>LCA084</i>	490	800	400
CFF100	490	1000	998	<i>LCA104</i>	490	1000	400
CFF120	490	1200	1198	<i>LCA124</i>	490	1200	400
CFF140	490	1400	1398	<i>LCA144</i>	490	1400	400
CFF160	490	1600	1598	<i>LCA164</i>	490	1600	400
CFF060	490	600	598	<i>LCA064</i>	490	600	500
CFF080	490	800	798	<i>LCA084</i>	490	800	500
CFF100	490	1000	998	<i>LCA104</i>	490	1000	500
CFF120	490	1200	1198	<i>LCA124</i>	490	1200	500
CFF140	490	1400	1398	<i>LCA144</i>	490	1400	500
CFF160	490	1600	1598	<i>LCA164</i>	490	1600	500

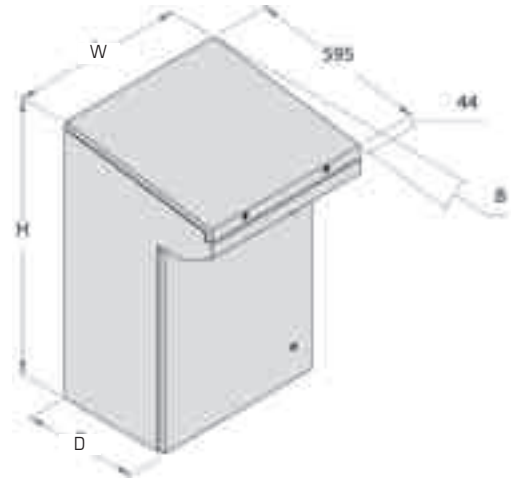
BLC - MONOBLOCK CONSOLE

Code **BLC** includes:

- Structure in pressbent and welded steel sheet;
- Hinged front door;
- Hinged desk cover;
- Inner mounting plate in galvanised steel;
- Cable entry with removable plate.

Additional elements

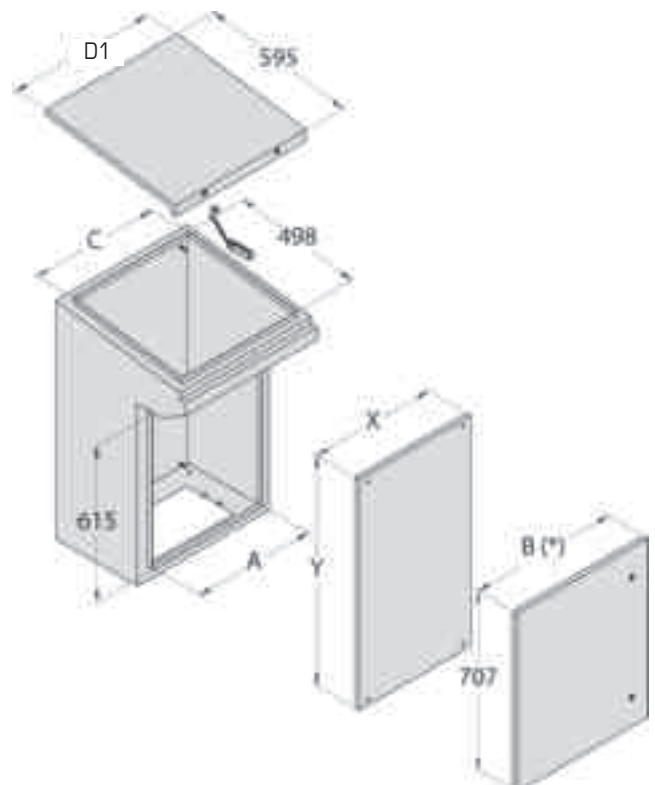
- plinth cod. ZAK + side flanges cod. FLK H=100 or H=200 mm., see pages 22-23;



BLC

CODE	Nominal dimensions			Other dimensions				Codes and dimensions m.plate		
	H	W	D	D1	C	A	B	Code m.plate	X	Y
BLC060	970	600	400	596	521	504	596	BLC060/P	520	910
BLC080	970	800	400	796	721	704	796	BLC080/P	720	910
BLC100	970	1000	400	996	921	904	496(*)	BLC100/P	920	910
BLC120	970	1200	400	1196	1121	1104	596(*)	BLC120/P	1120	910
BLC140	970	1400	400	1396	1321	1304	696(*)	BLC140/P	1320	910
BLC160	970	1600	400	1596	1521	1504	796(*)	BLC160/P	1520	910

(*) Double doors



BLD - MONOBLOCK CONSOLE

Code **BLD** includes:

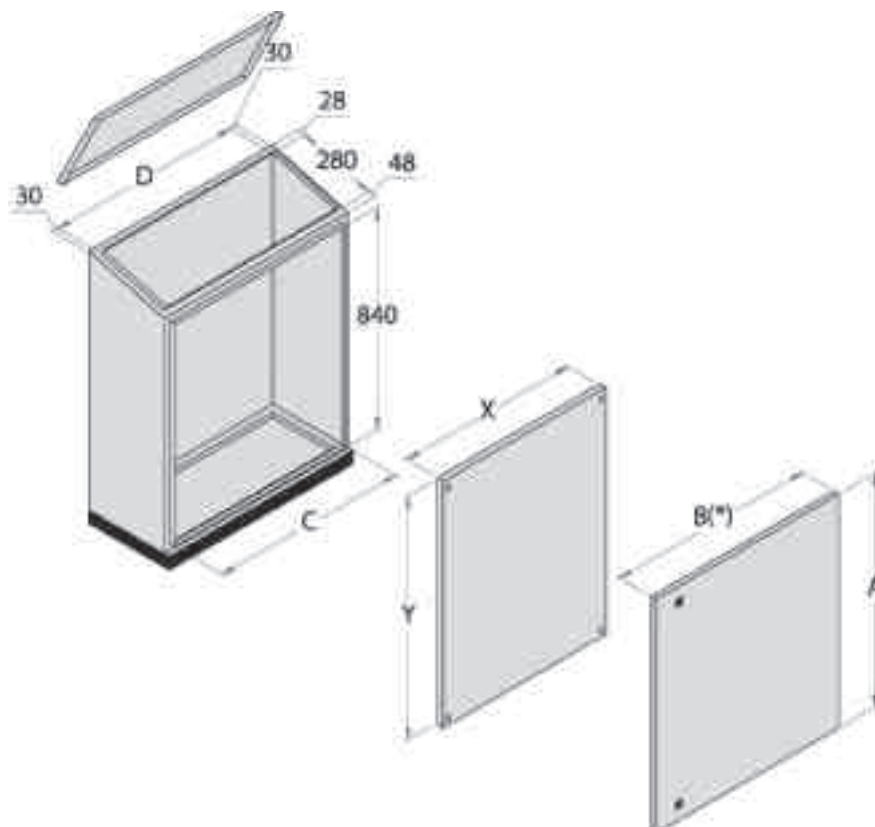
- Structure in pressbent and welded steel sheet;
- Hinged front door;
- Hinged desk cover;
- Inner mounting plate in galvanised steel;
- Closed bottom;
- Plinth H=50 mm welded to the structure of the console.



BLD

CODE	Nominal dimensions			Other dimensions				Codes and dimensions m.plate		
	H	W	D	D	C	A	B	Code m.plate	X	Y
BLD065	1050	650	350	590	590	877	646	BLD065/P	560	930
BLD080	1050	800	350	740	740	877	796	BLD080/P	710	930
BLD100	1050	1000	350	940	940	877	496 (*)	BLD100/P	910	930
BLD120	1050	1200	350	1140	1140	877	596 (*)	BLD120/P	1110	930

(*) Double doors

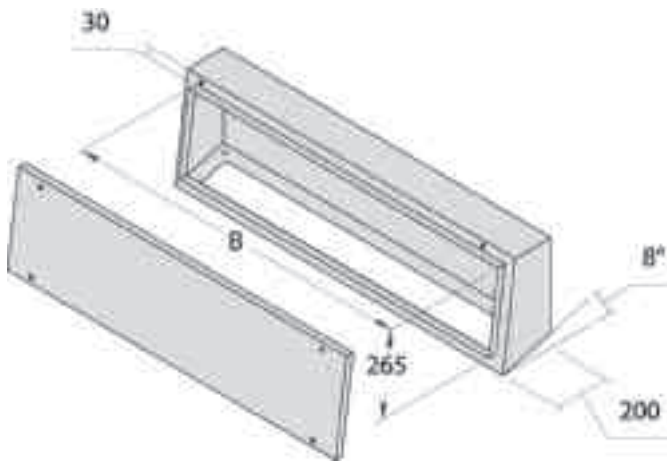
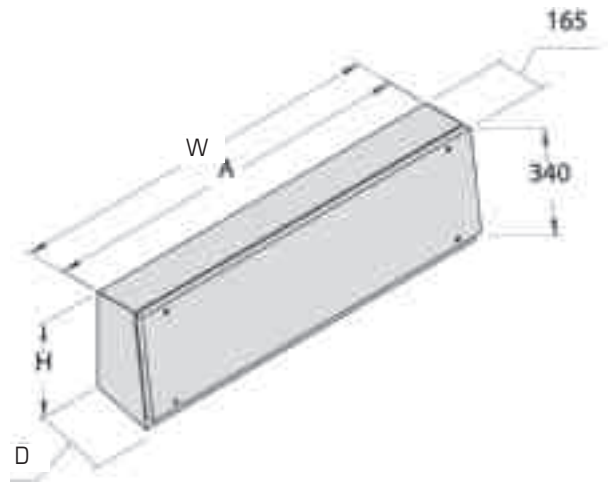


ALM - UPPER ELEMENT FOR CONSOLES BLC

Description: an additional element for the BLC consoles.

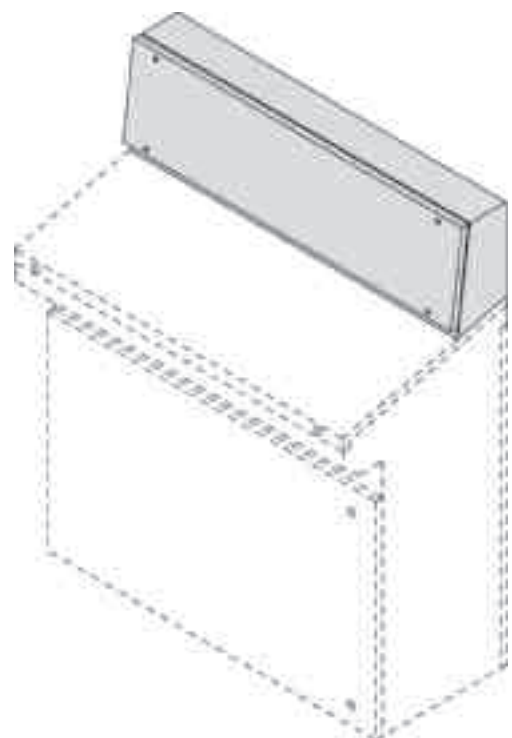
Code **ALM** includes:

- Structure in welded and pressbent steel sheet;
- Front cover screwed;
- Bottom side open for connection with the BLC console and fixing points.



ALM

CODE	Nominal dimensions			Other dimensions	
	H	W	D	A	B
ALM060	300	600	228	596	540
ALM080	300	800	228	796	740
ALM100	300	1000	228	996	940
ALM120	300	1200	228	1196	1140
ALM140	300	1400	228	1396	1340
ALM160	300	1600	228	1596	1540



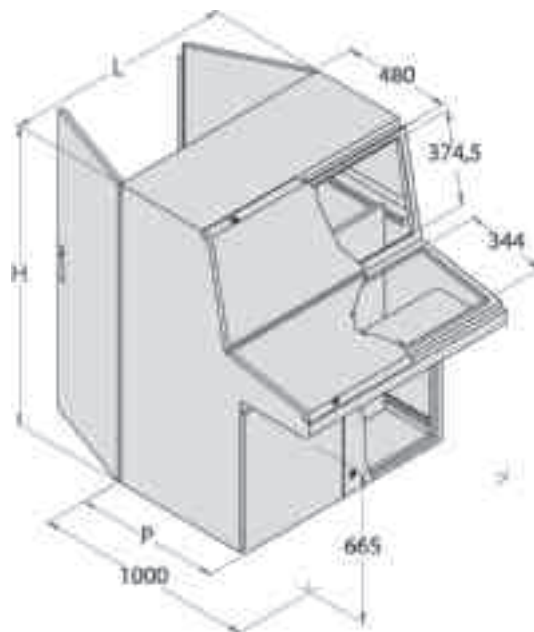
LAS - MONOBLOCK CONSOLE WITH UPPER ELEMENT AND DESK

Code **LAS** includes

- Welded and pressbent steel sheet structure;
- Hinged front door;
- Hinged desk cover;
- Hinged upper element door;
- Inner mounting plate
- Rear door full height.

Additional elements:

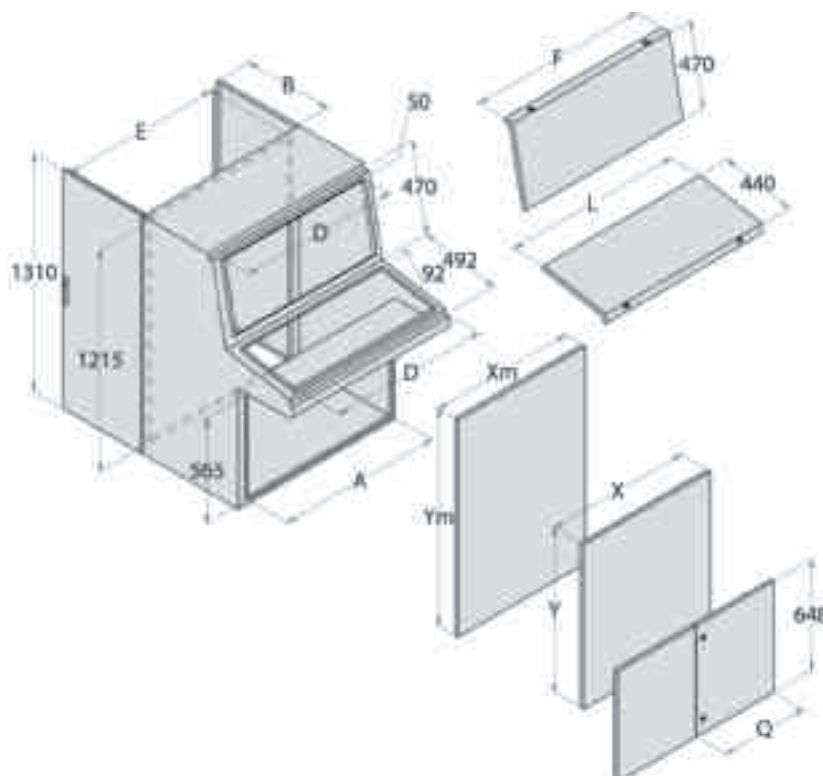
- Wide mounting plate (available on request);
- plinth cod. ZAK + side flanges cod. FLK H=100 or 200 mm., see pages 22-23;



CODE	Nominal dimensions			Other dimensions							Codes and dimensions, std. and wide m.plate					
	H	W	D	A	B	D	E	F	L	Q	Standard	X	Y	Wide	Xm	Ym
LAS08	1315	800	650	726	695	725	722	796	796	794	LAS08/P	690	910	LAS08/PM	690	1200
LAS10	1315	1000	650	926	895	925	922	996	996	994	LAS10/P	890	910	LAS10/PM	890	1200
LAS12	1315	1200	650	1126	1095	1125	1122	1196	1196	594*	LAS12/P	1090	910	LAS12/PM	1090	1200
LAS14	1315	1400	650	1326	1295	1325	1322	1396	1396	694*	LAS14/P	1290	910	LAS14/PM	1290	1200
LAS16	1315	1600	650	1526	1495	1525	1522	1596	1596	794*	LAS16/P	1490	910	LAS16/PM	1490	1200

(*) Double doors

LAS



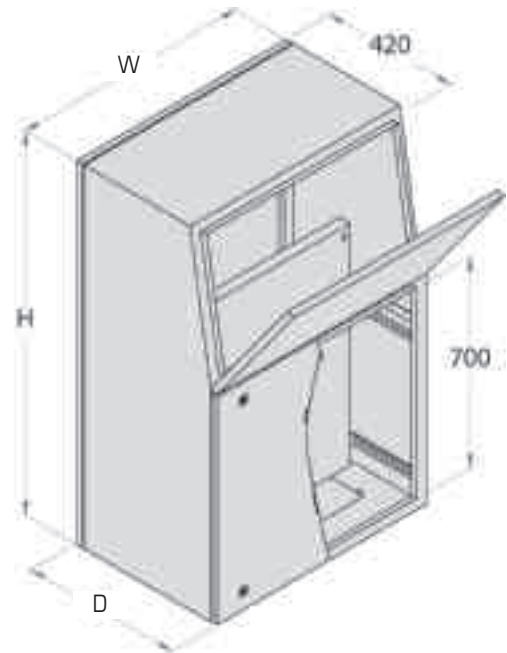
LAR - MONOBLOCK CONSOLES WITH UPPER ELEMENT

Code **LAR** includes:

- Structure in welded pressbent steel sheet;
- Hinged front door;
- Hinged desk cover;
- Screwed rear door full height;
- Inner mounting plate.

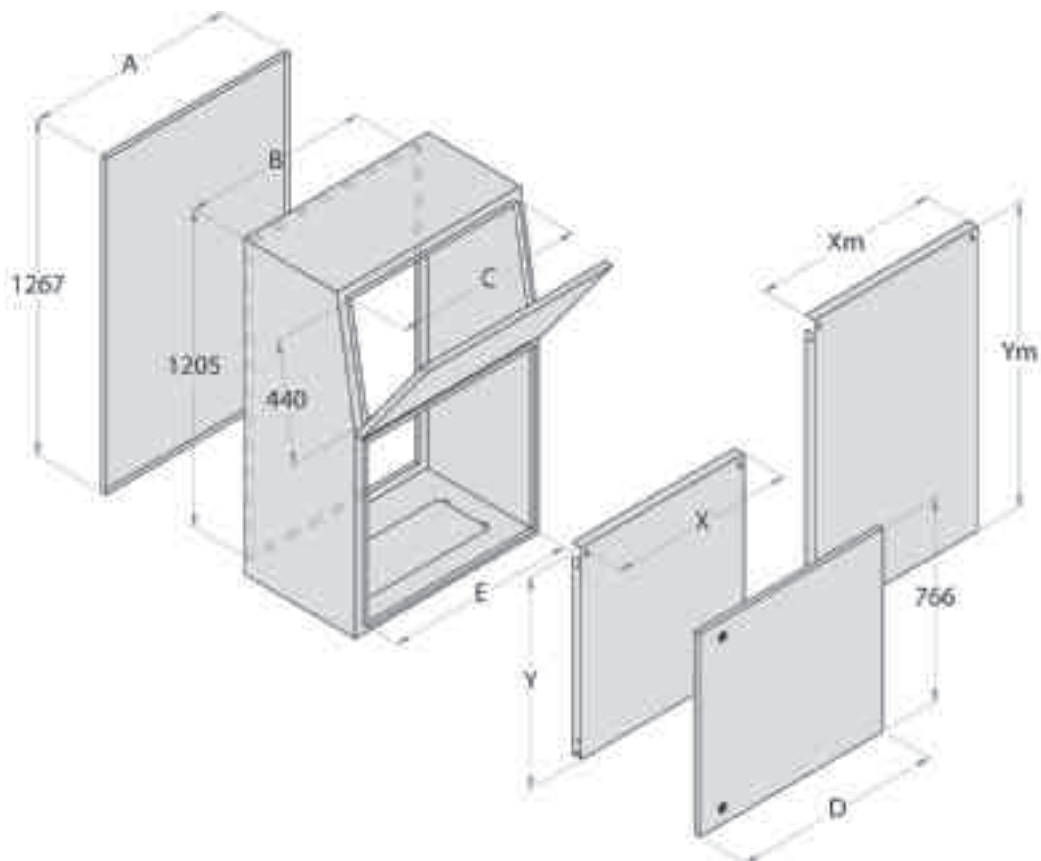
Additional elements

- Wide mounting plate (available on request);
- plinth code ZAK + side flanges code FLK H=100 or 200 mm, see pages 22-23;



CODE	Nominal dimensions			Other dimensions					Codes and dimensions, std. and wide m. plate					
	H	W	D	A	B	C	E	D	Standard	X	Y	Wide	Xm	Ym
LAR08	1270	800	500	796	725	735	722	796	LAR08/P	710	710	LAR08/PM	710	1060
LAR10	1270	1000	500	996	925	935	922	496*	LAR10/P	910	710	LAR10/PM	910	1060
LAR12	1270	1200	500	1196	1125	1135	1122	596*	LAR12/P	1110	710	LAR12/PM	1110	1060
LAR14	1270	1400	500	1396	1325	1335	1322	696*	LAR14/P	1310	710	LAR14/PM	1310	1060
LAR16	1270	1600	500	1596	1525	1535	1522	796*	LAR16/P	1510	710	LAR16/PM	1510	1060

(*) Double doors



LAR