

## ENCLOSURES SERIES AS

### SERIES AS, monoblock enclosures IP 55

**Description:** the AS series are monoblock enclosures with totally welded structure in steel sheet thickness 1.5 mm. The hinged doors are in 2. mm thick steel sheet. The mounting plates are in 2.5 mm thick galvanised steel. The frame is complete with cable entry and flanges. Painting is powder coating type, epoxypolyester RAL 7035 textured.

**The series AS is available in the following versions:**

- **ASB**, enclosure with blind door and mounting plate;
- **ASV**, enclosure with glazed door, inner door and mounting plate;
- **ASD**, enclosure with glazed external door, inner modular frame

**Painting:** with epoxy-polyester thermosetting powders

- Panels: RAL 7035 textured
- Plinth: RAL 7024 glossy (graphite gray)

**Protection:**

- IP55, IEC 62208 ; CEI EN 62262
- IK10, IEC 62208 ; CEI EN 62262
- Nema type 1-12: CSA22.2,941 e 942, UL508a

**Technical features:**

- external panel thickness 15/10
- door thickness 20/10
- mounting plate thickness 25/10

**Certifications:**



## ENCLOSURES SERIES AS

### ASB - Monoblock enclosure, single door

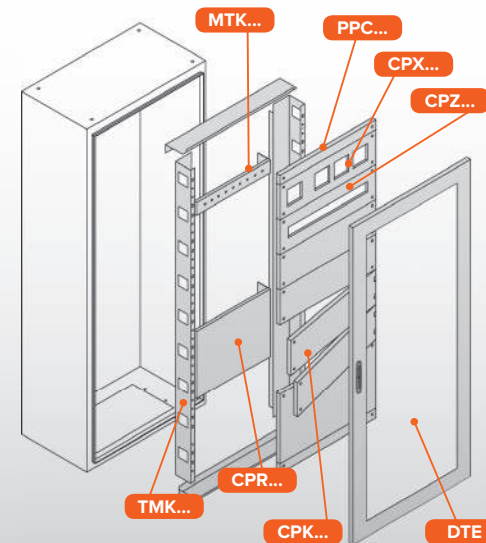
**ASB enclosures with single door are supplied with:**

- Monoblock frame
- DBE blind door opening 120° (pag. 18) , espanolette closing system, 3mm double bar lock, (pag. 18)
- PNA mounting plate (pag. 27)

**Additional elements:**

- Plinth ZAK + FLK H=100 mm (also H=200 mm) (pag. 40)
- eyebolts GLR112 (pag. 57)

CODE	Nominal dimensions			Other dimensions and codes		Dim. Inner plate	
	H	L	P	F	Door code	X	Y
ASB1264	1200	600	400	373	DBE126	490	1080
ASB1284	1200	800	400	373	DBE128	690	1080
ASB1462	1400	600	250	173	DBE146	490	1280
ASB1464	1400	600	400	373	DBE146	490	1280
ASB1484	1400	800	400	373	DBE148	690	1280
ASB1662	1600	600	250	173	DBE166	490	1480
ASB1664	1600	600	400	373	DBE166	490	1480
ASB1684	1600	800	400	373	DBE168	690	1480
ASB1686	1600	800	600	573	DBE168	690	1480
ASB1864	1800	600	400	373	DBE186	490	1680
ASB1884	1800	800	400	373	DBE188	690	1680
ASB1886	1800	800	600	573	DBE188	690	1680
ASB2084	2000	800	400	373	DBE208	690	1880
ASB2086	2000	800	600	573	DBE208	690	1880
ASB20A4	2000	1000	400	373	DBE20A	890	1880
ASB20A6	2000	1000	600	573	DBE20A	890	1880



## ENCLOSURES SERIES AS

### ASV – Monoblock enclosure with glazed door

ASV enclosures, are supplied with:

- Monoblock frame
- DTE glazed external door opening 120° (pag. 19)
- DBI inner blind door (pag. 21)
- PNA mounting plate (pag. 27)

Completing elements:

- plinth ZAK + FLK H=100 mm (also H= 200 mm), see pages (pag. 40)
- eyebolts GLR112 (pag. 57)

CODE	Nominal dimensions			Other dimensions and codes			Dim. inner plate	
	H	L	P	F	Code door	Code inner door	X	Y
ASV1264	1200	600	400	373	DTE126	DBI126	490	1080
ASV1284	1200	800	400	373	DTE128	DBI128	690	1080
ASV1462	1400	600	250	173	DTE146	DBI146	490	1280
ASV1464	1400	600	400	373	DTE146	DBI146	490	1280
ASV1484	1400	800	400	373	DTE148	DBI148	690	1280
ASV1662	1600	600	250	173	DTE166	DBI166	490	1480
ASV1664	1600	600	400	373	DTE166	DBI166	490	1480
ASV1684	1600	800	400	373	DTE168	DBI168	690	1480
ASV1686	1600	800	600	573	DTE168	DBI168	690	1480
ASV1864	1800	600	400	373	DTE186	DBI186	490	1680
ASV1884	1800	800	400	373	DTE188	DBI188	690	1680
ASV1886	1800	800	600	573	DTE188	DBI188	690	1680
ASV2084	2000	800	400	373	DTE208	DBI208	690	1880
ASV2086	2000	800	600	573	DTE208	DBI208	690	1880
ASV20A4	2000	1000	400	373	DTE20A	DBI20A	890	1880
ASV20A6	2000	1000	600	573	DTE20A	DBI20A	890	1880

## ENCLOSURES SERIES AS

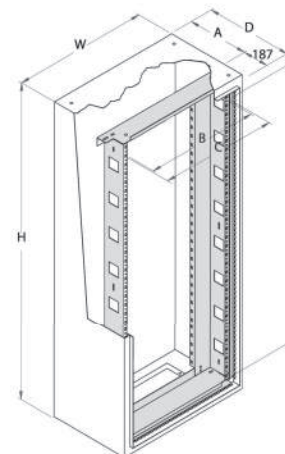
### ASD - Modular monoblock enclosure

Code ASD includes:

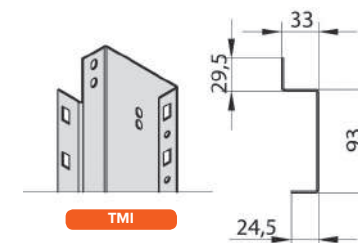
- Monoblock frame
- DTE external glazed door (pag. 19)
- TMI inner modular frame

For details on the modular inner system refer to (page 81)

CODE	Nominal dimensions			Other dimensions			
	H	L	P	A	B	C	N
ASD1264	1200	600	400	249	440	465	1000
ASD1284	1200	800	400	249	440	465	1000
ASD1462	1400	600	250	49	440	465	1200
ASD1464	1400	600	400	249	440	465	1200
ASD1484	1400	800	400	249	640	665	1200
ASD1662	1600	600	250	49	440	465	1400
ASD1664	1600	600	400	249	440	465	1400
ASD1684	1600	800	400	249	640	665	1400
ASD1864	1800	600	400	249	440	465	1600
ASD1884	1800	800	400	249	640	665	1600
ASD2084	2000	800	400	249	640	665	1800
ASD2086	2000	800	600	449	640	665	1800

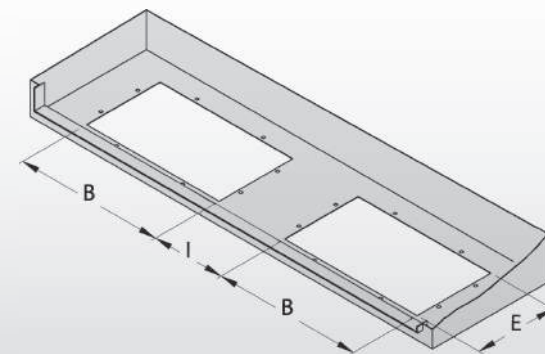
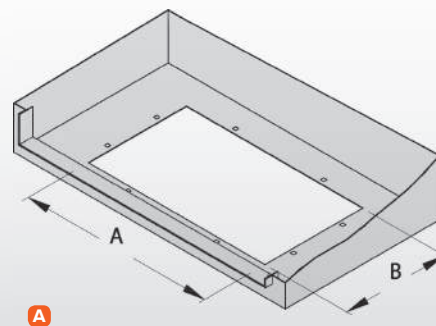
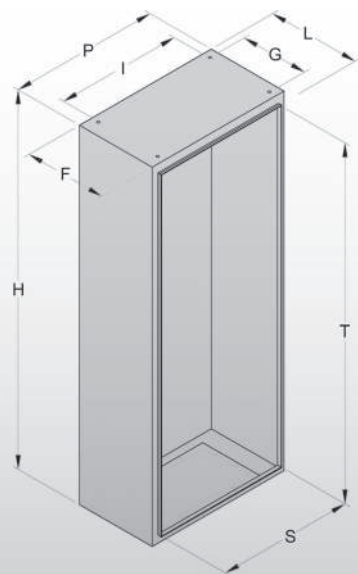


FEATURES FEATURES  
MODULAR FRAME



Notes: the dimension N corresponds to the height dimension to be occupied with the panels referred to on page 81 and following, except for the two upper and lower compensation panels, supplied separately.

- B - Internal frame height
- C - Quote center distance square holes



## ENCLOSURES SERIES AS AS - monoblock frame

### AS code includes:

- Monoblock frame
- Cable entry and flanges
- Possibility of installing eyebolts, plinth and different additional elements

### Elements to be ordered separately:

- DBE blind door hinged and reversible, opening 120° (pag. 18)
- Plinth ZAK + FLK H=100mm (also H= 200 mm) (pag. 40)
- PNA mounting plate (pag. 27)

CODE	Nominal dimensions			Other dimensions				
	H	L	P	F	G	I	S	T
AS1264	1200	600	400	373	311	528	501	1111
AS1284	1200	800	400	373	311	728	701	1111
AS1462	1400	600	250	173	111	528	501	1311
AS1464	1400	600	400	373	311	528	501	1311
AS1484	1400	800	400	373	311	728	701	1311
AS1662	1600	600	250	173	111	528	501	1511
AS1664	1600	600	400	373	311	528	501	1511
AS1684	1600	800	400	373	311	728	701	1511
AS1686	1600	800	600	573	511	728	701	1511
AS1864	1800	600	400	373	311	528	501	1711
AS1884	1800	800	400	373	311	728	701	1711
AS1886	1800	800	600	573	511	728	701	1711
AS2084	2000	800	400	373	311	728	701	1911
AS2086	2000	800	600	573	511	728	701	1911
AS20A4	2000	1000	400	373	311	928	901	1911
AS20A6	2000	1000	600	573	511	928	901	1911

## ENCLOSURES SERIES AS AS - Frames cable entry

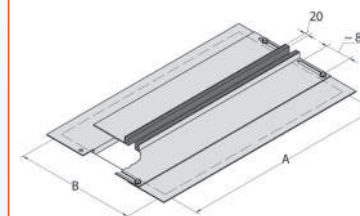
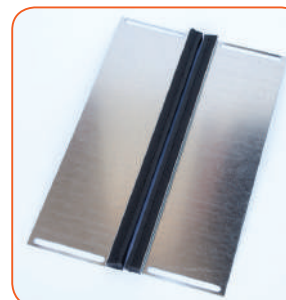
CODE	Characteristic dimensions	
	A	B
AS...64	404	230
AS...84	604	230
AS...A4	804	230
AS...C4	1004	230
AS1865 AF2065	404	230
AS1885 AF2085	604	230
AS18A5 AF20A5	804	230
AS18C5 AF20C5	1004	230

CODE	Characteristic dimensions		
	A	B	I
ASB18E4 AS061604 AS081604 AS101604	604	230	195
ASB18E5 ASB20E5	604	280	195
AS081804 AS101804	604	280	295
AS082004 AS102004	804	230	195

## PPG - Guillotine cable entry for AS Enclosures

**Descrizione:** it is mounted on the bottom of the cabinet instead of the fixed plates (standard cable entry) and prevents, by pressing the gasket which is fitted, the entry of dust inside the panel.

It is divided into two parts adjustable in the sense of depth (excursion of about 85 mm per part). It can also be mounted later if it is necessary to replace the standard one.



**Note:** guillotine cable entry also available for the OK series, KPG reference code (same construction as PPG code)

Cable entry AS				
L	P	CODE	A	B
400	400	PPG 404	210	220
400	500	PPG 405	210	220
600	400	PPG 604	404	230
600	500	PPG 605	404	280
600	600	PPG 606	404	380
800	400	PPG 804	604	230
800	500	PPG 805	604	280
800	600	PPG 806	604	380
1000	400	PPG 104	804	230
1000	500	PPG 105	804	280
1000	600	PPG 106	804	380
1200	400	PPG 124	1004	230
1200	500	PPG 125	1004	280
1200	600	PPG 126	1004	380
1400	500	PPG 145	1204	280
1400	600	PPG 146	1204	380